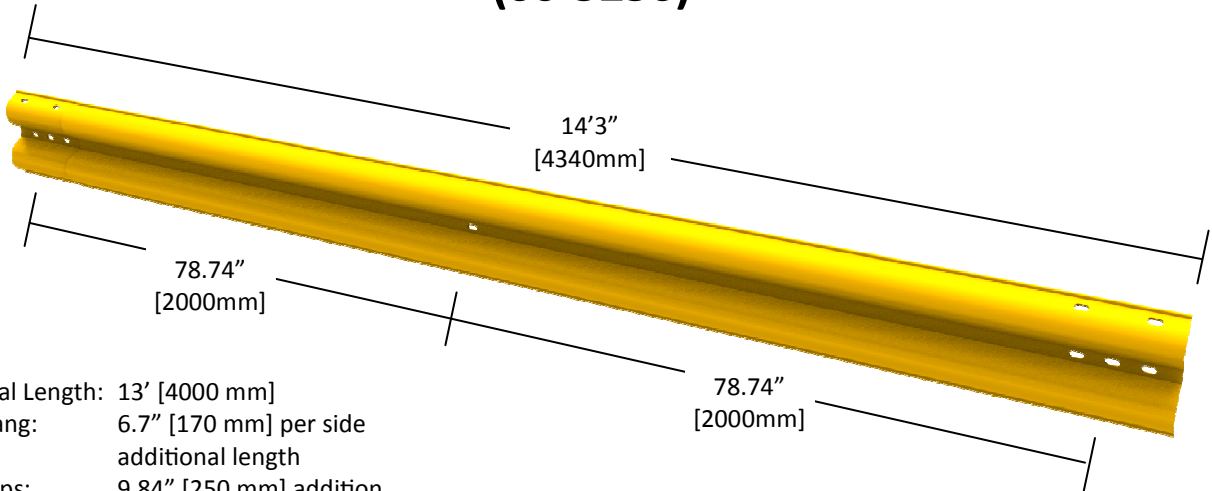
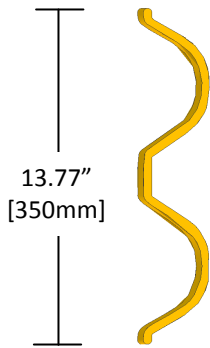


SlowStop® FlexRail PC Guard Rail—4m

(60-5250)



Nominal Length: 13' [4000 mm]
 Overhang: 6.7" [170 mm] per side
 additional length
 End Caps: 9.84" [250 mm] addition
 length per side



End Caps Available
P/N: SSEY & SSEY-M

SPECIFICATIONS

- Break Strength: 24,832 lbf / 110 kN
- 22,021 Joules / 6,765 lb ft (static mount)
- Max deflection: 21" / 56cm (static mount)
- Temperature Rating: -40°F/C to 239°F / 115°C
- Traffic Yellow (RAL 1023)
- Weight: 40 lb / 18 kg (approx. 25% compared to steel)
- No bending equipment required for curves

RECOMMENDED USES

- Mount to SlowStop® Rebounding Bollards for increased strength and system durability
- Industrial Equipment Protection
- Pedestrian Aisle Ways
- Utility Guarding
- Access Denial
- Parking Perimeters

