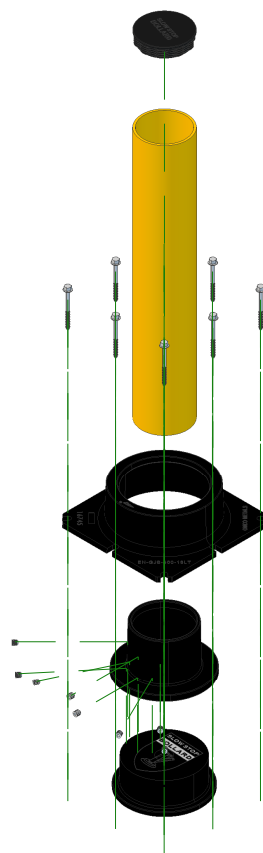
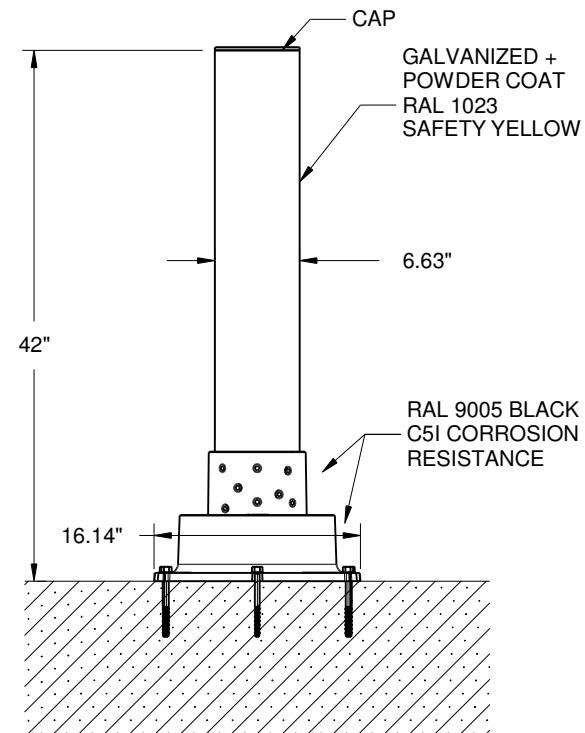


ISO



EXPLODED



* MINIMUM FOUNDATION DEPENDS ON LOCAL SOIL CONDITIONS, WEATHER & ENG. REQ'TS

DETAIL



IDEAL WAREHOUSE
INNOVATIONS INC

CONFIDENTIAL & PROPRIETARY

The drawing on this print and the information therewith are property of SlowStop Guarding Systems, LLC and Ideal Warehouse Innovations, Inc., and shall not be used or discussed in whole or in part without consent.

idealwarehouse.com info@idealwarehouse.com

SIZE
A

PART NO.
60-5203

DWG.
SLOWSTOP BOLLARD - Ø6.63" X 42"

REV
2.0

SCALE

SLOWSTOP GUARDING SYSTEMS

DATE 01-JAN-2019